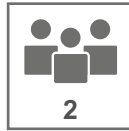


LOBERON

COMING HOME



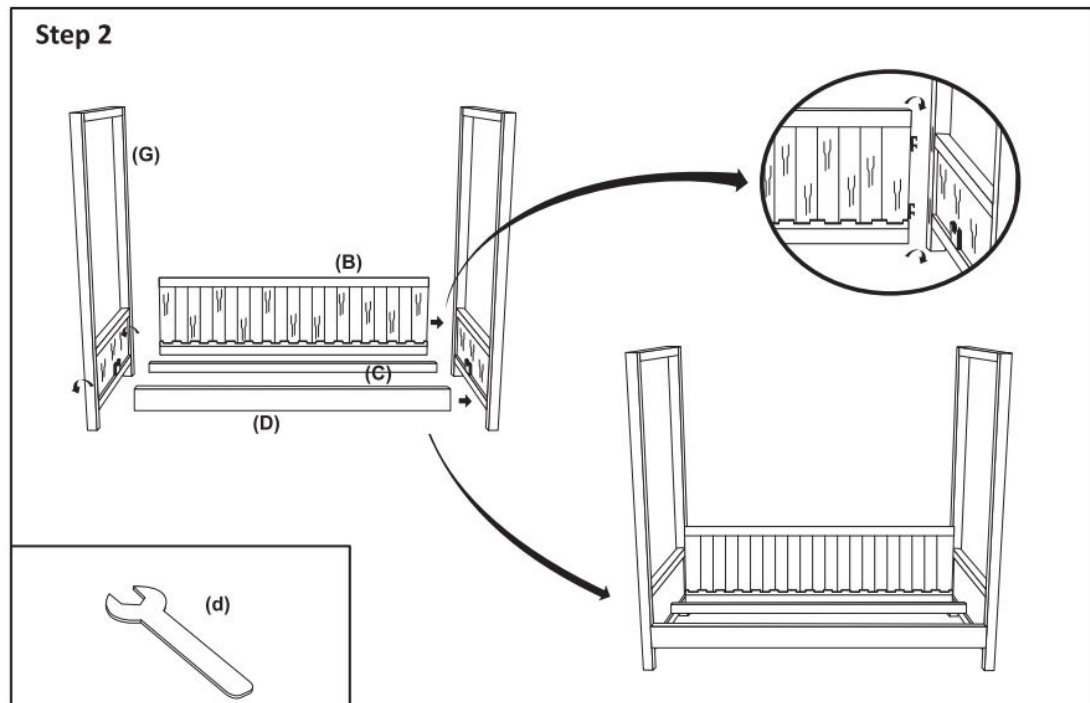
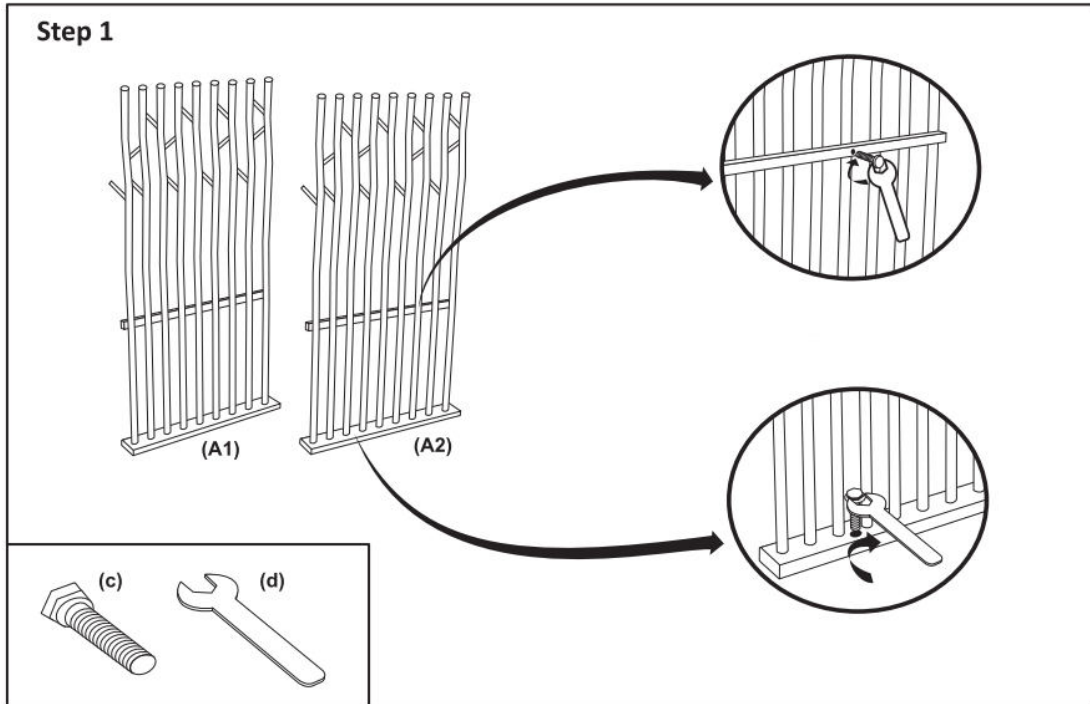
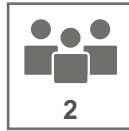
A (A1) (A2) (x1)	B (x1)	C (x1)
D (x1)	E (x1)	F (x15)
G (x2)	H (x1)	

a (a) (b) (c) (x4) (x2) (x3)	 (d) (x1)
---	-----------------



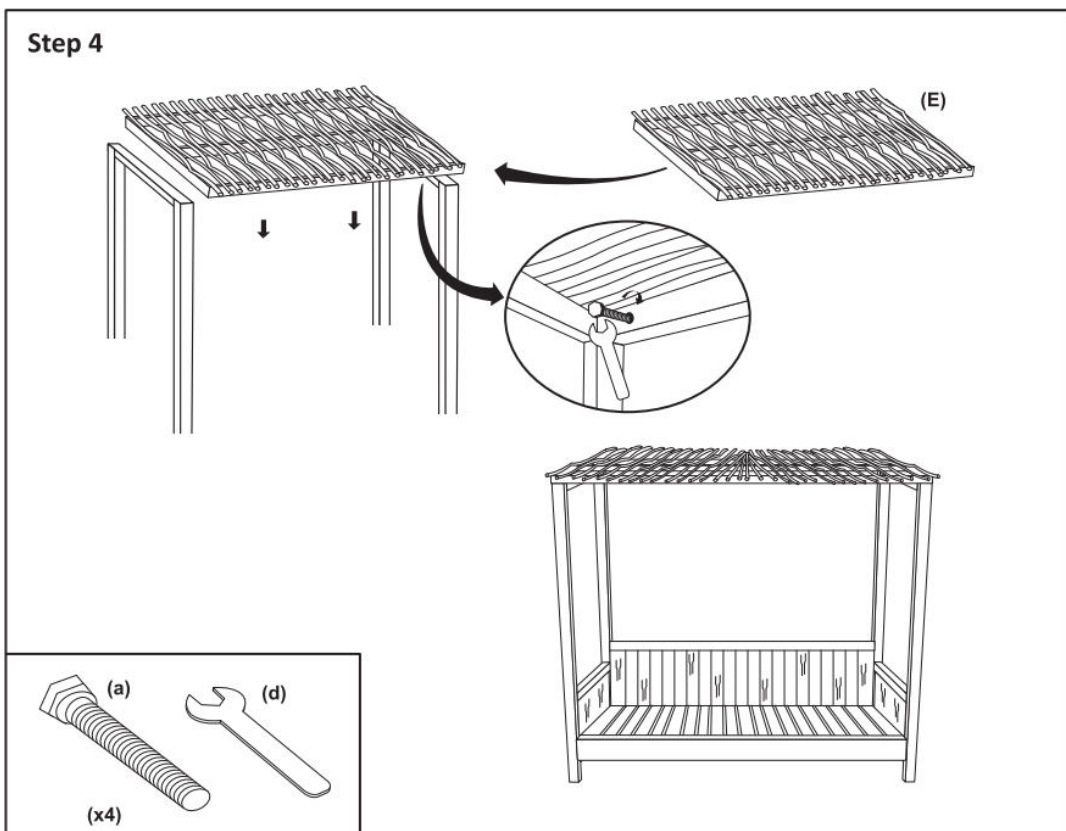
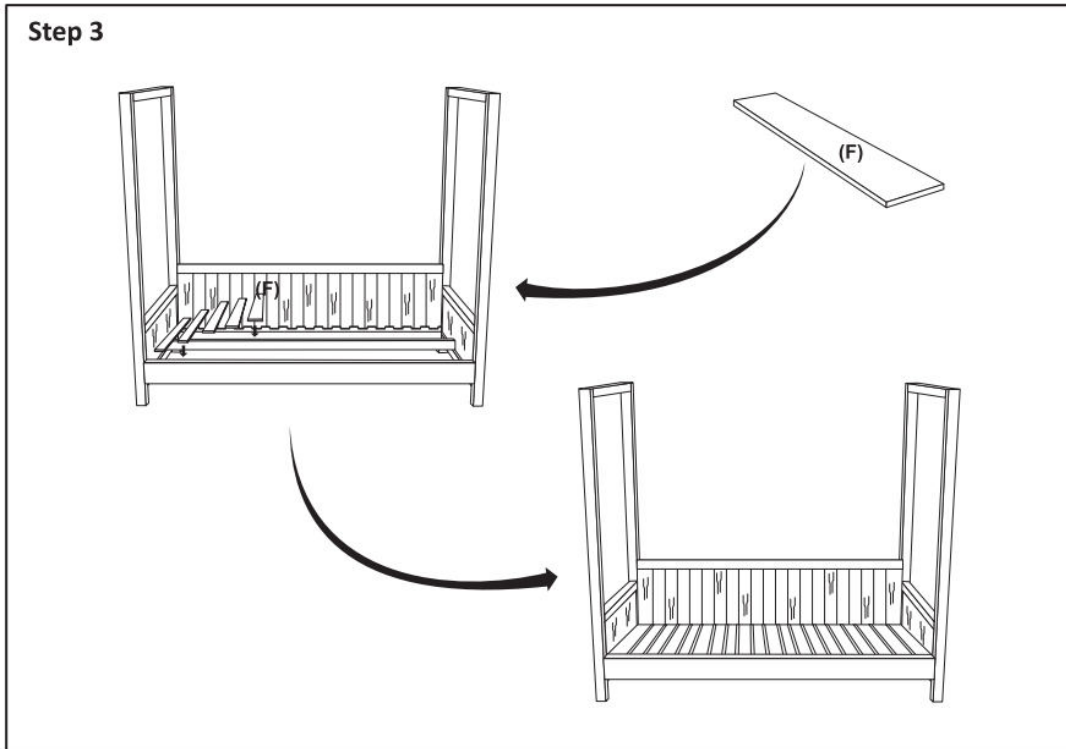
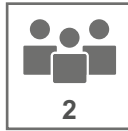
LOBERON

COMING HOME



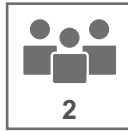
LOBERON

COMING HOME

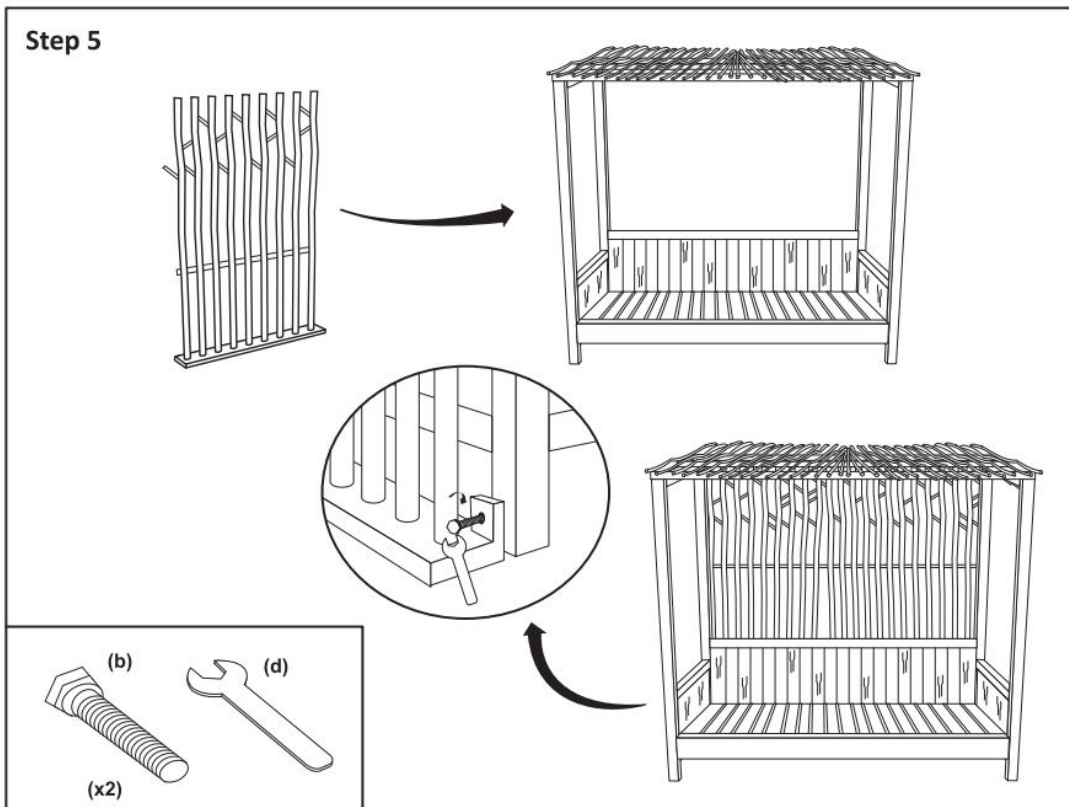


LOBERON

COMING HOME



Step 5



Step 6

