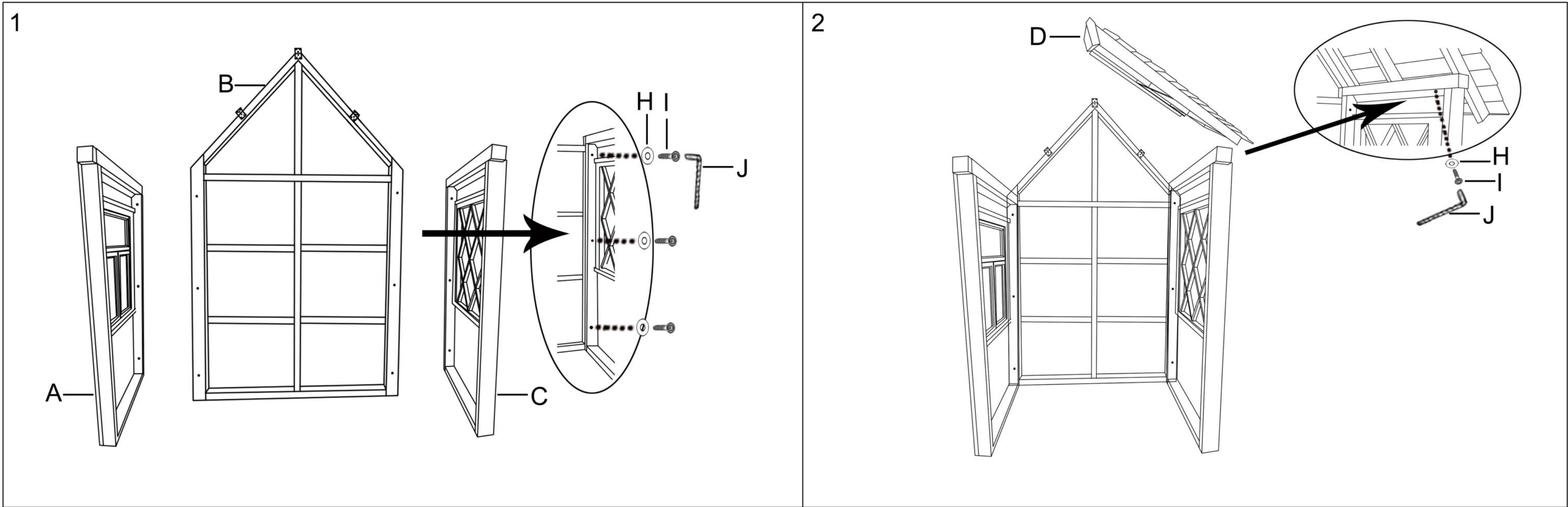


LOBERON

COMING HOME



Ax1		Bx1		Cx1		Dx1		Ex1		Fx1		Gx1		Hx10	Ix10	Jx1
														 φ8	 φ8x60	 φ8
														Kx12 φ3.5x30	Lx6 φ6x20	Mx1 φ6



LOBERON
COMING HOME

